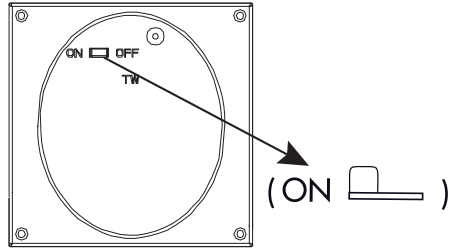
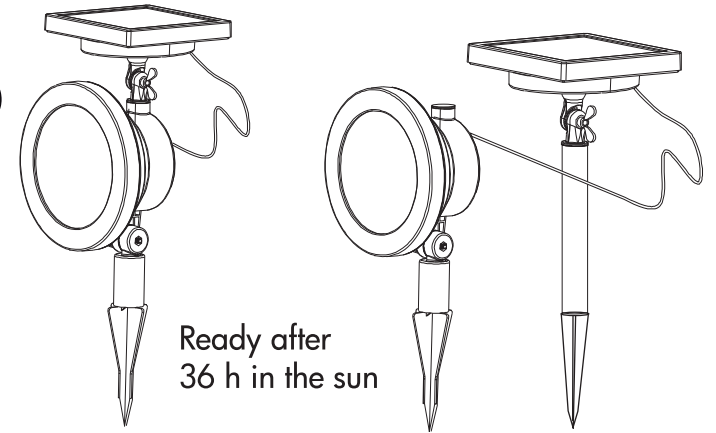
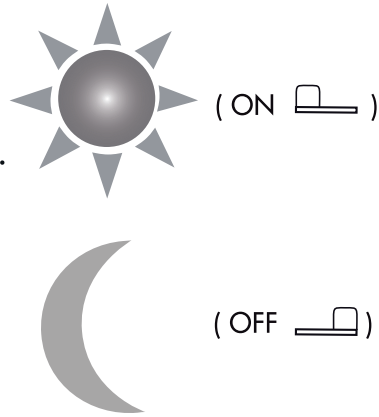


Art. No 479-90

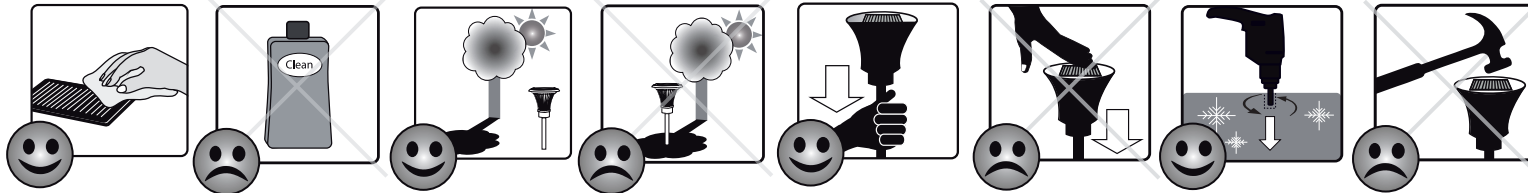
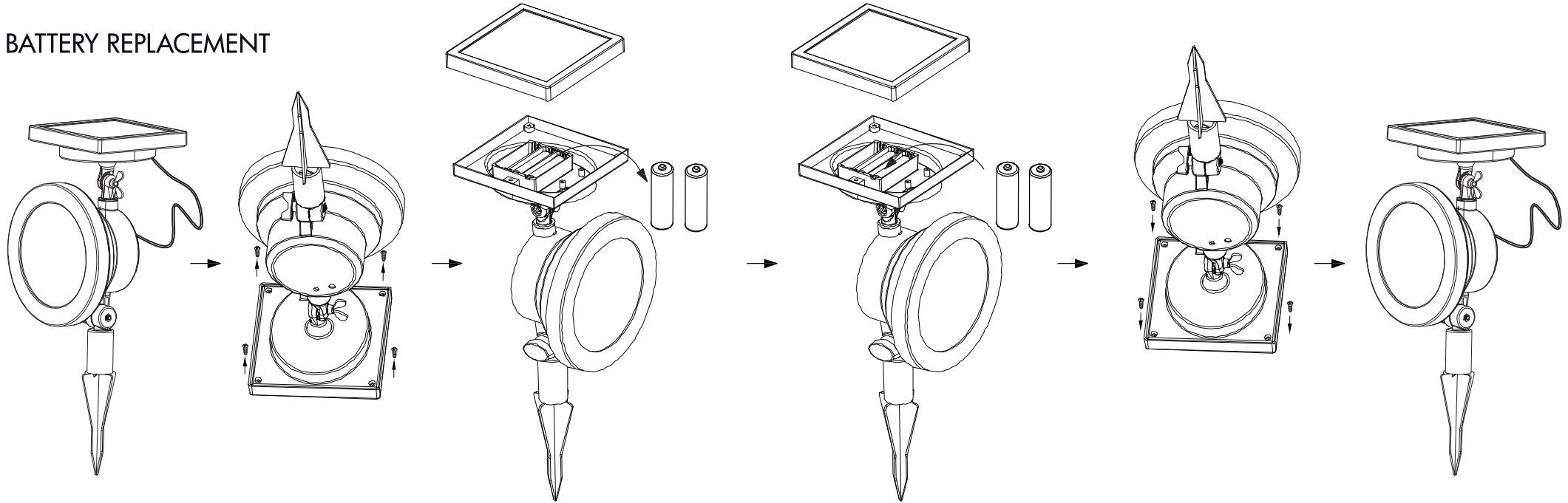
FIRST USE STEP 1.



STEP 2.



BATTERY REPLACEMENT



**STAR**  
TRADING

STAR STREET 1  
512 50 SVENLJUNGA  
SWEDEN