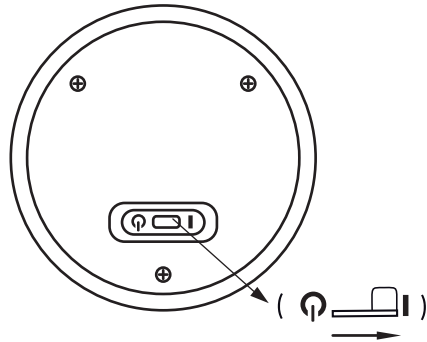


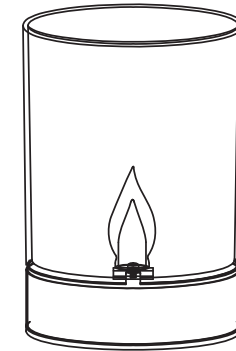
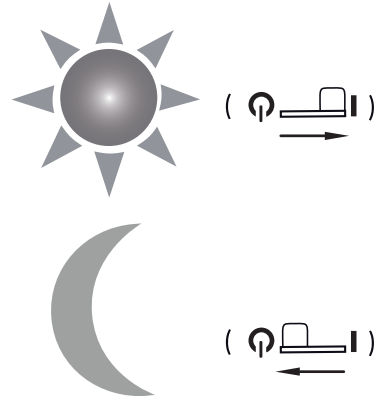
Art no. 479-88,89

## FIRST USE

STEP 1.

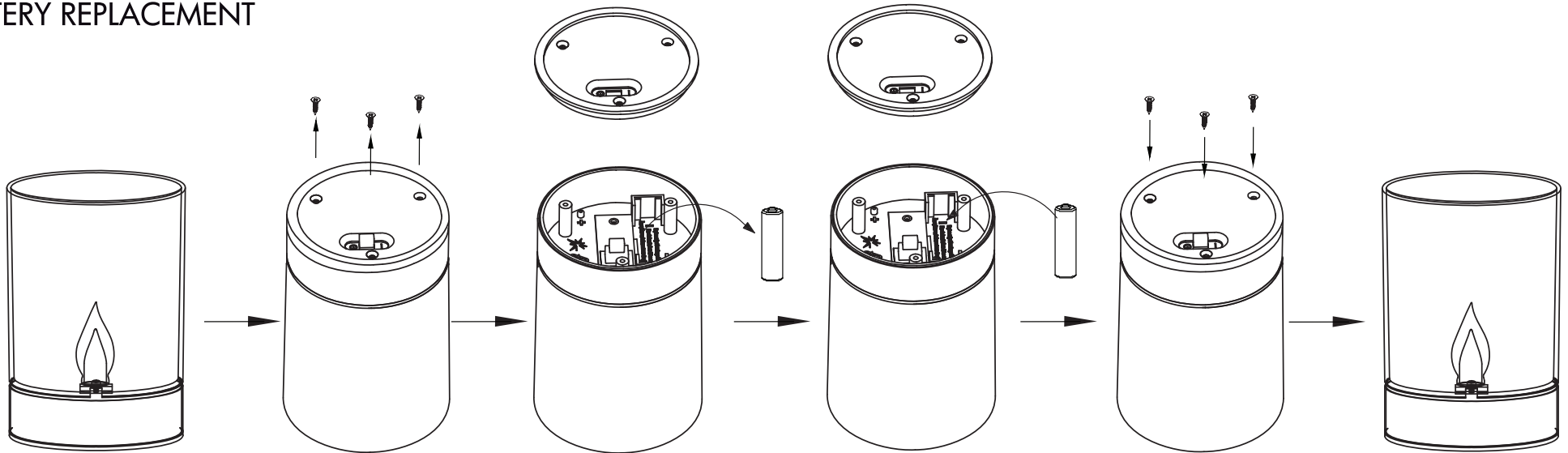


STEP 2.



Ready after  
36 h in the sun

## BATTERY REPLACEMENT



**STAR**  
TRADING

STAR STREET 1  
512 50 SVENLJUNGA  
SWEDEN