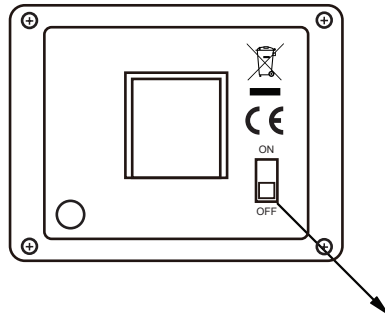


Art.no 481-07-1

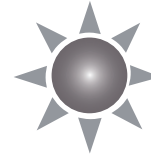
FIRST USE

STEP 1.



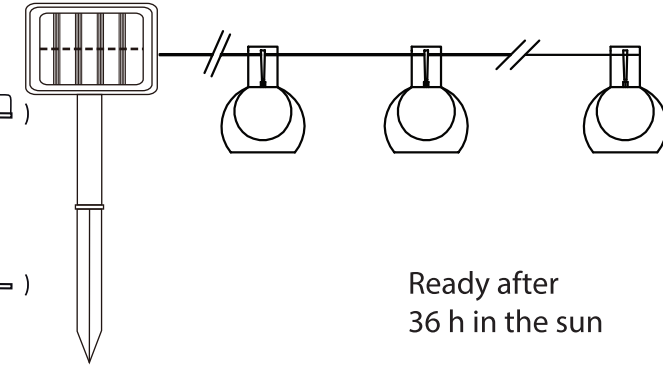
(ON)

STEP 2.



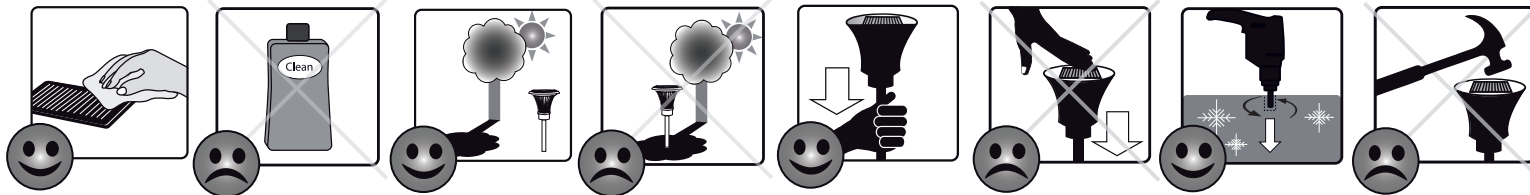
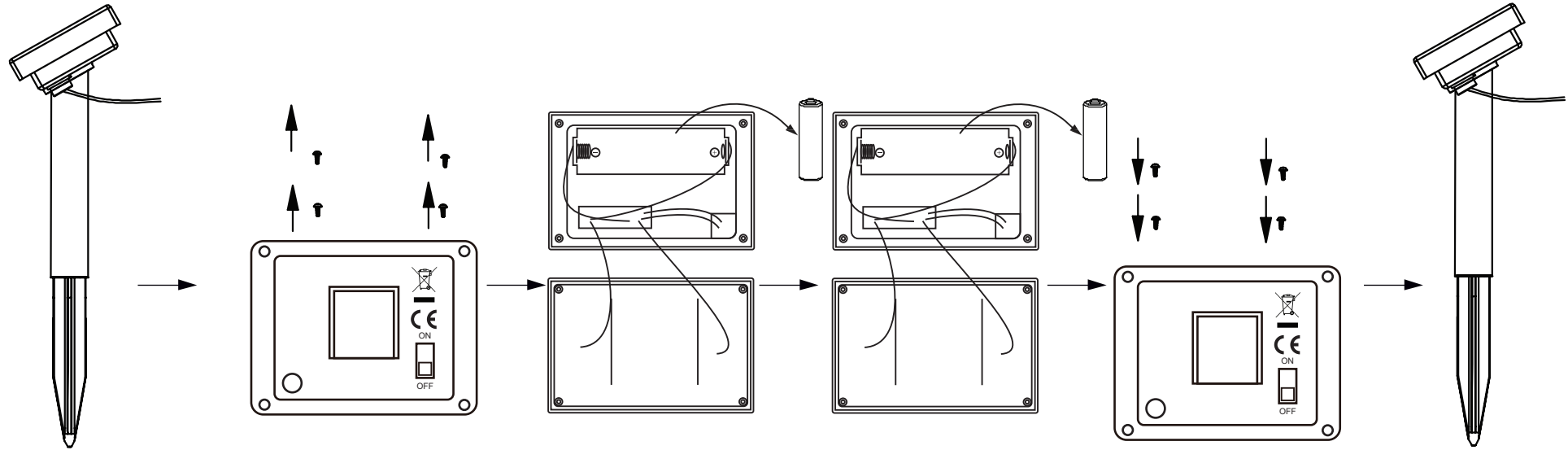
(ON)

(OFF)



Ready after
36 h in the sun

BATTERY REPLACEMENT



STAR[®]
TRADING
STAR STREET 1
512 50 SVENLJUNGA
SWEDEN
www.startrading.com