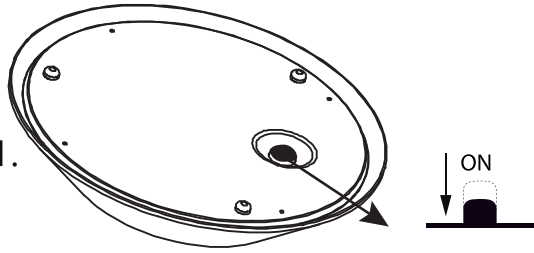


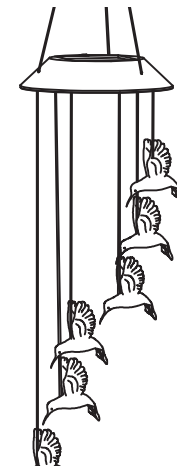
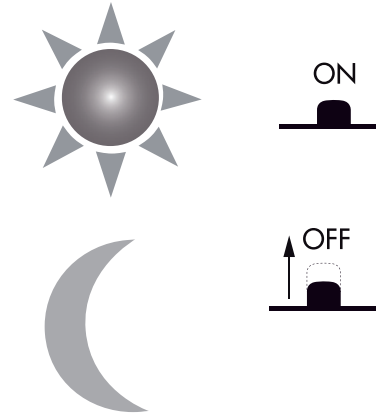
Art. No 479-38

FIRST USE

STEP 1.

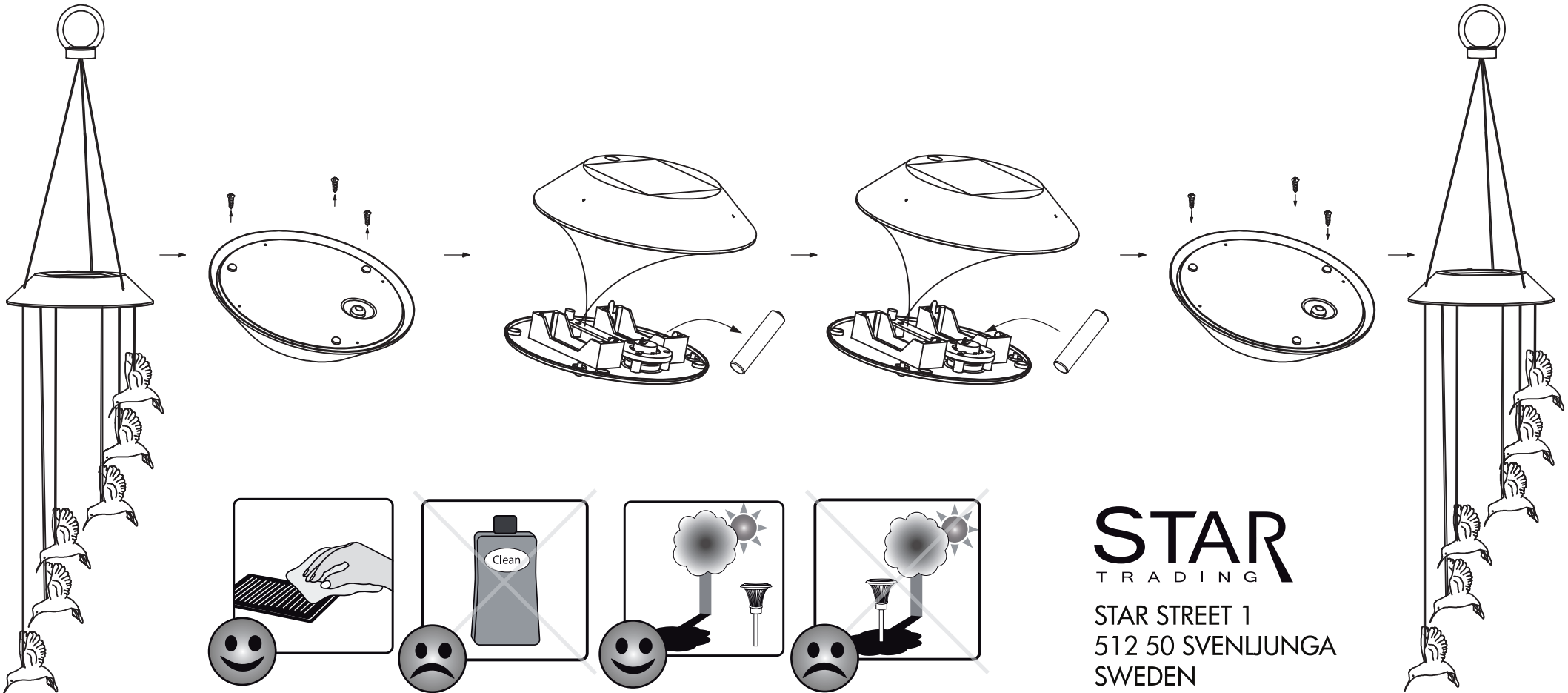


STEP 2.



Ready after
36 h in the sun

BATTERY REPLACEMENT



STAR
TRADING

STAR STREET 1
512 50 SVENLJUNGA
SWEDEN