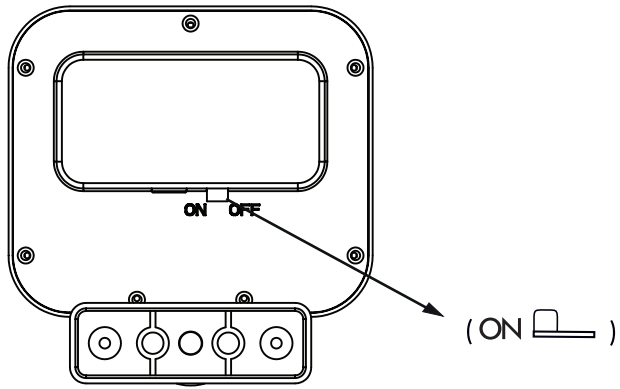


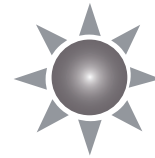
Art.no 481-63

FIRST USE

STEP 1.




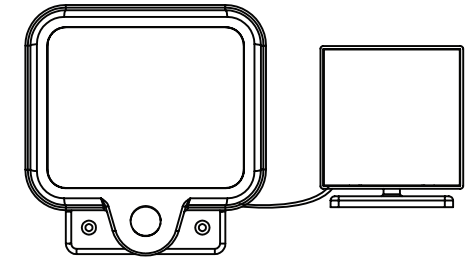
STEP 2.



( ON  )

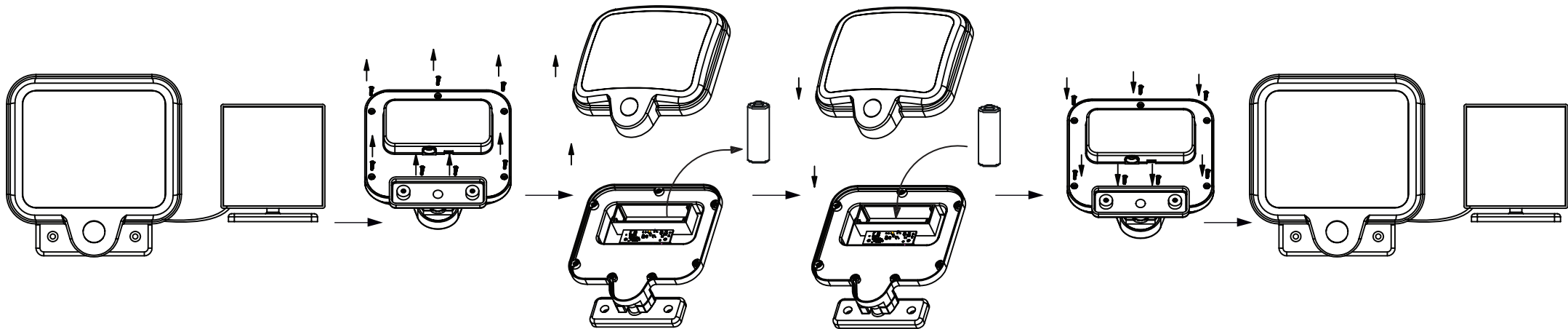


( OFF  )

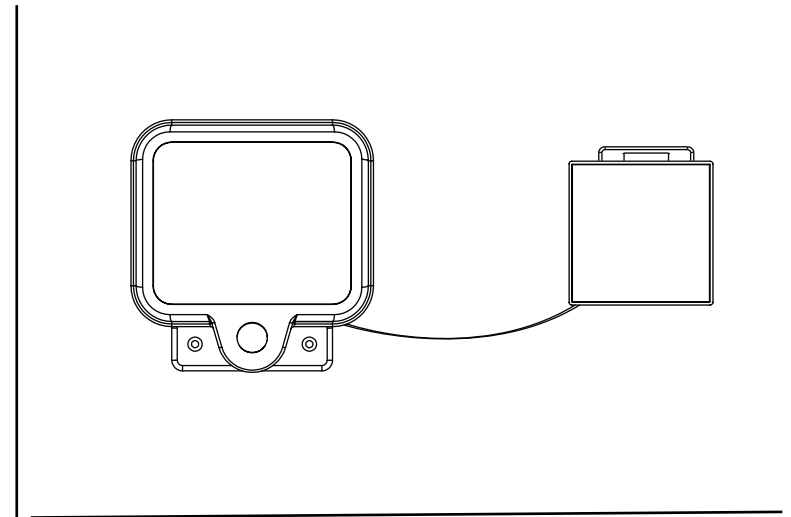
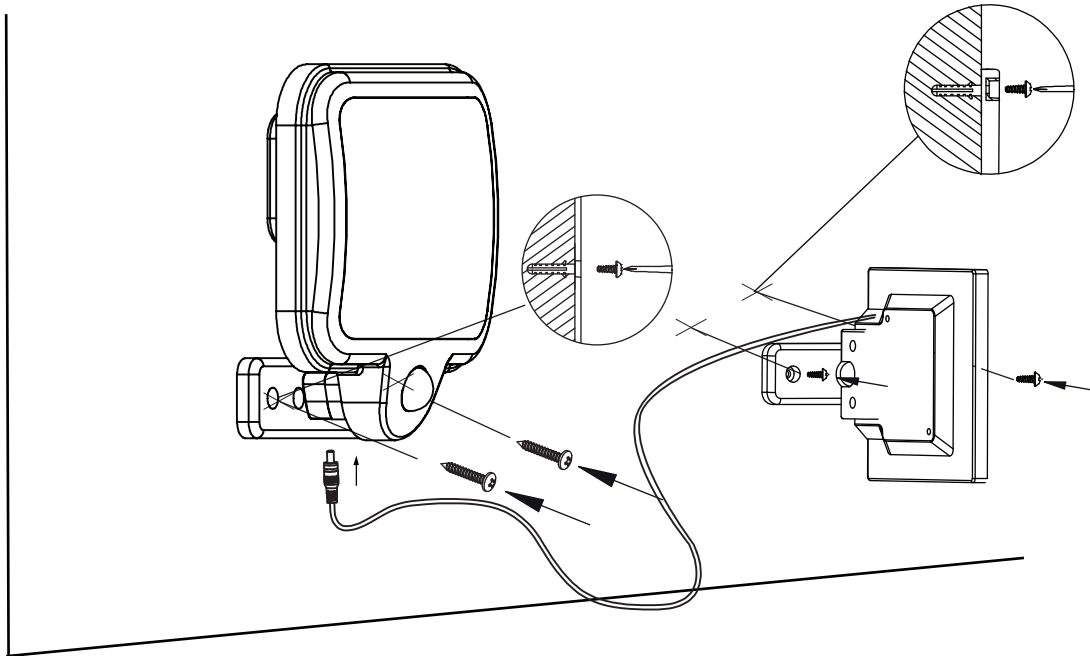
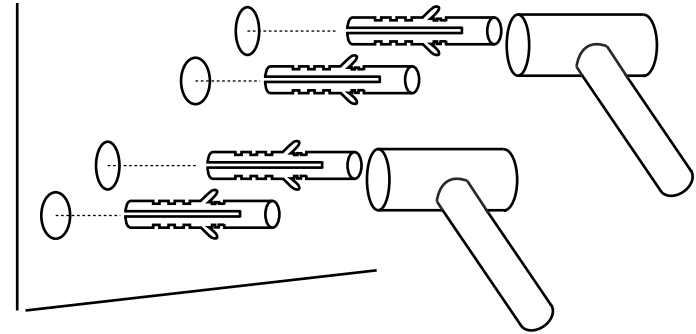
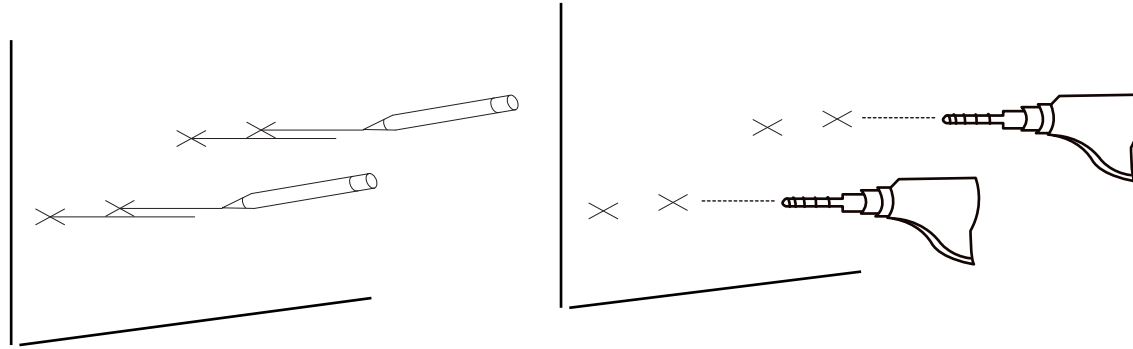
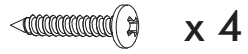
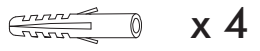


Ready after  
36 h in the sun

BATTERY REPLACEMENT



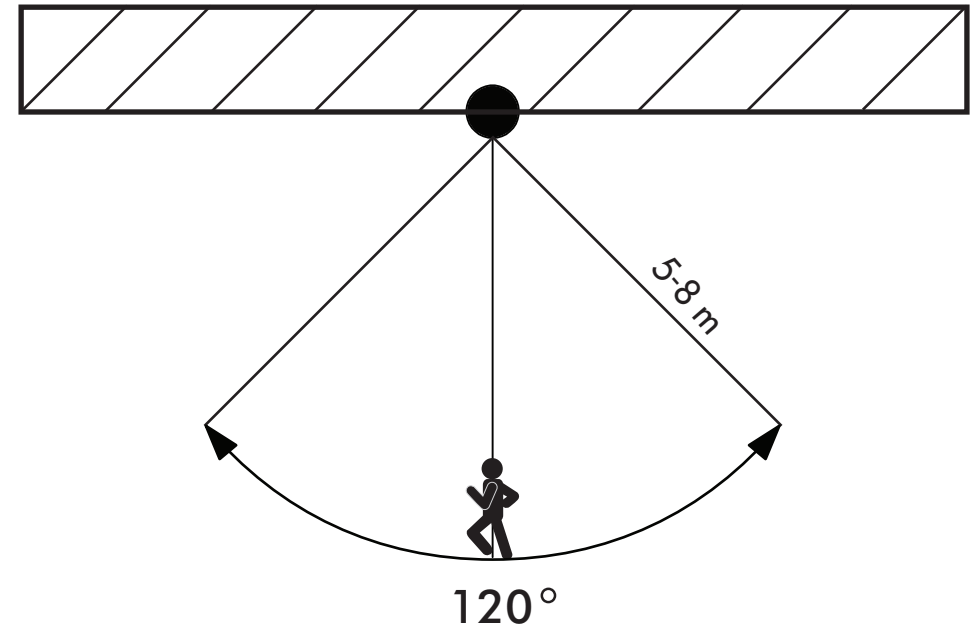
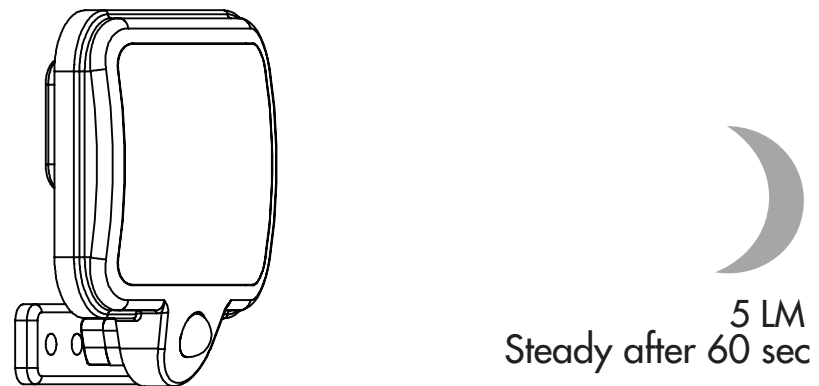
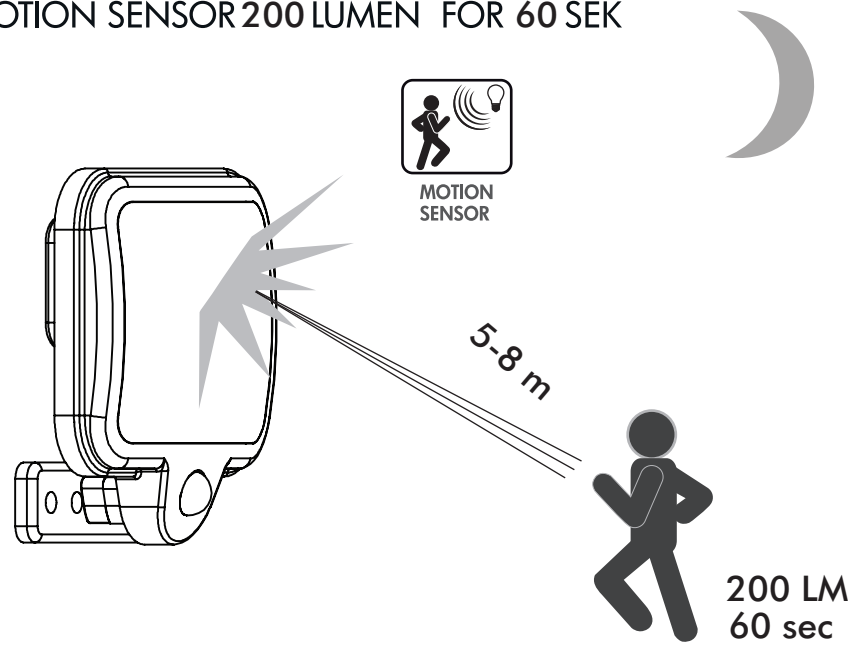
**STAR**<sup>®</sup>  
TRADING  
STAR STREET 1  
512 50 SVENLJUNGA  
SWEDEN  
[www.startrading.com](http://www.startrading.com)



Art No: 481-63

5 LUMEN CONSTANT LIGHT

MOTION SENSOR 200 LUMEN FOR 60 SEK



**STAR**<sup>®</sup>  
TRADING  
STAR STREET 1  
512 50 SVENLJUNGA  
SWEDEN  
[www.startrading.com](http://www.startrading.com)