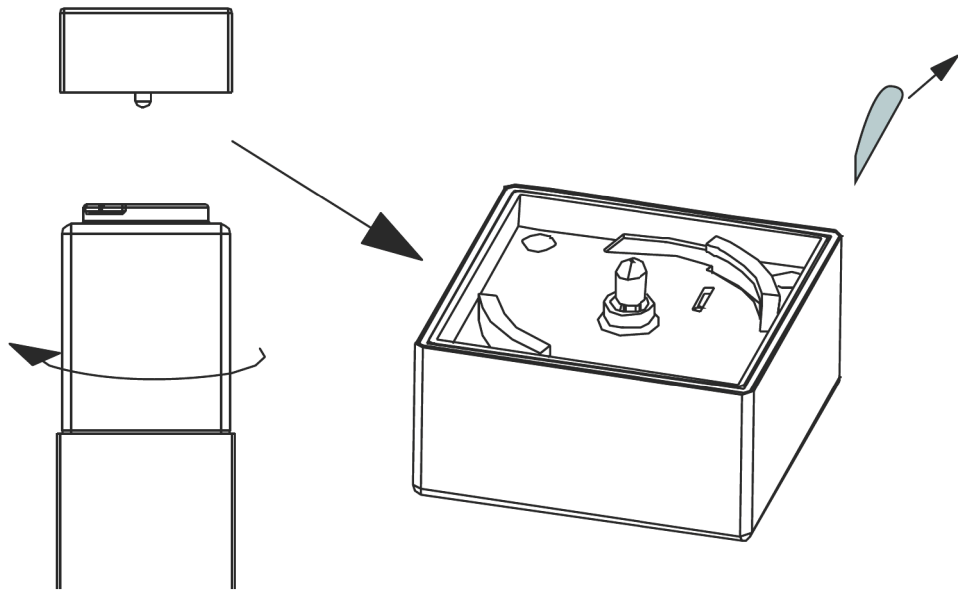
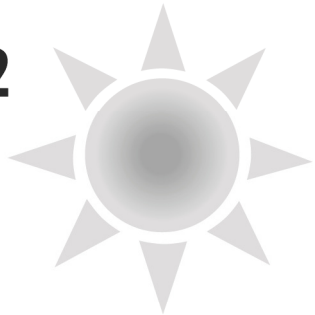


STEP 1

FIRST USE



STEP 2



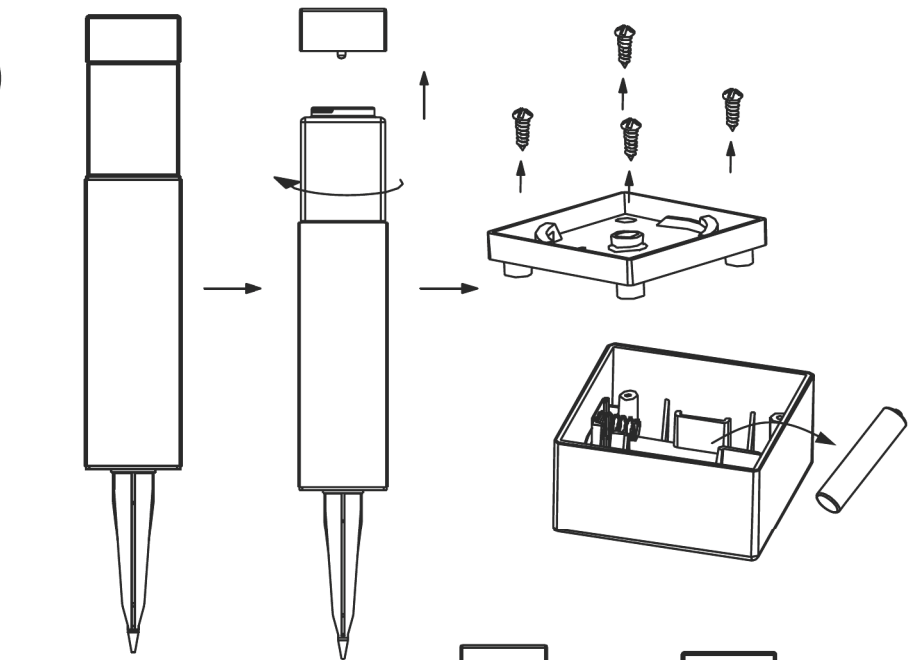
36h



BATTERY REPLACEMENT



1



2

