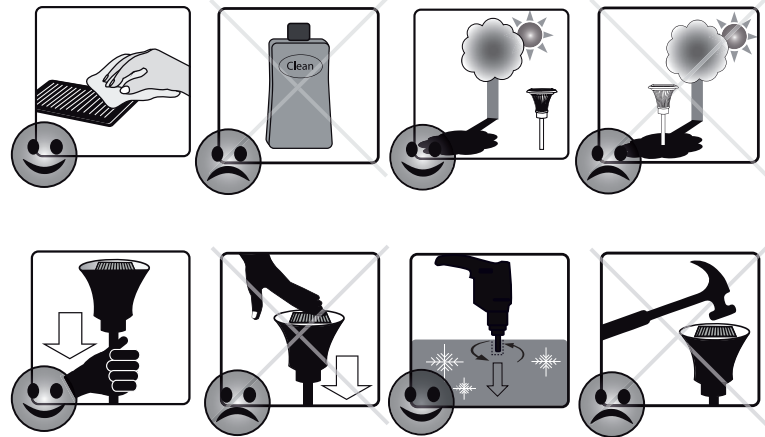
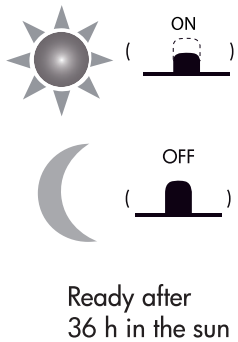
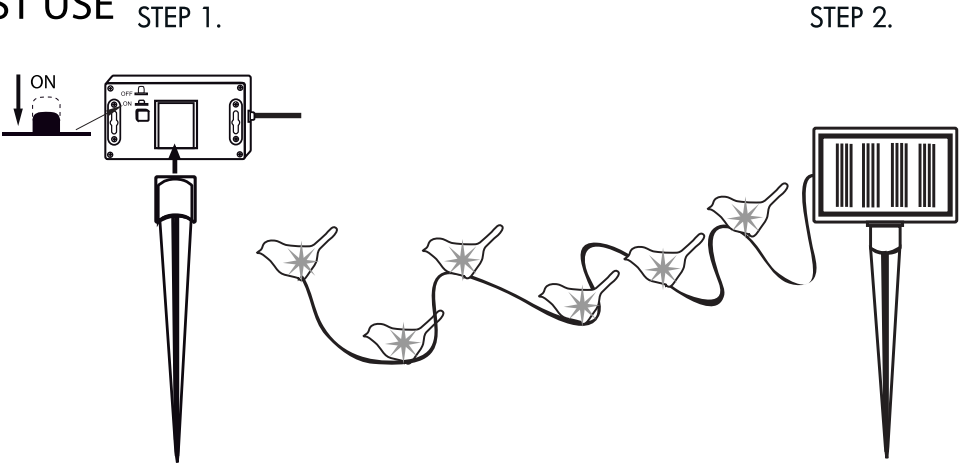
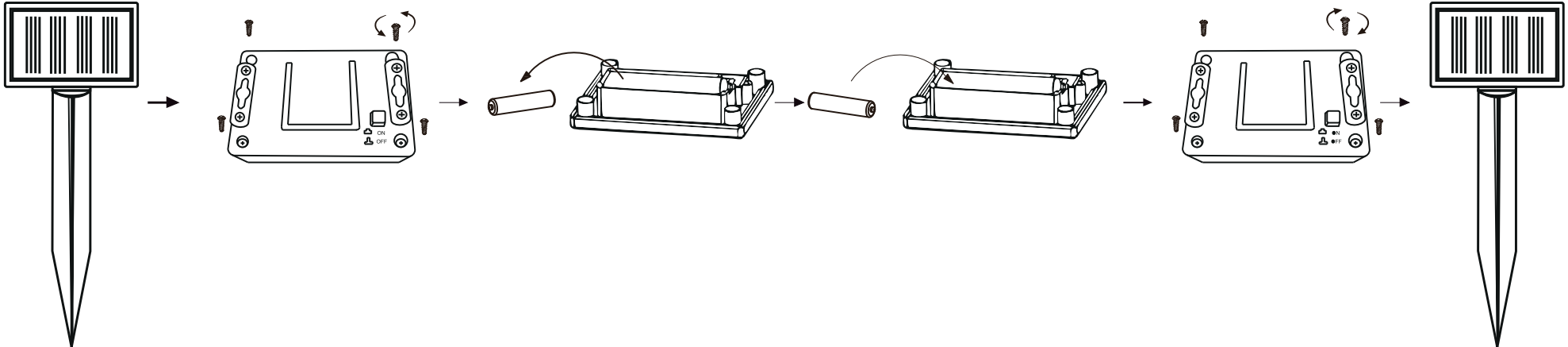


Art no. 479-10

FIRST USE



BATTERY REPLACEMENT



STAR
TRADING
STAR STREET 1
512 50 SVENLJUNGA
SWEDEN