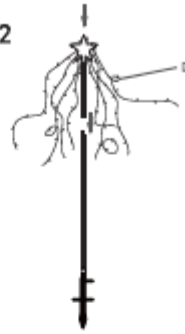


### Mounting Instruction

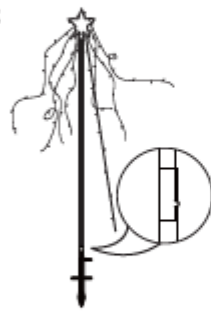
STEP 1



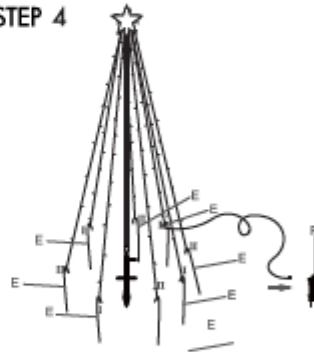
STEP 2



STEP 3



STEP 4



A		1 pc	D		1 pc
B		1 pc	E		8 pcs
C		1 pc	F		1 pc